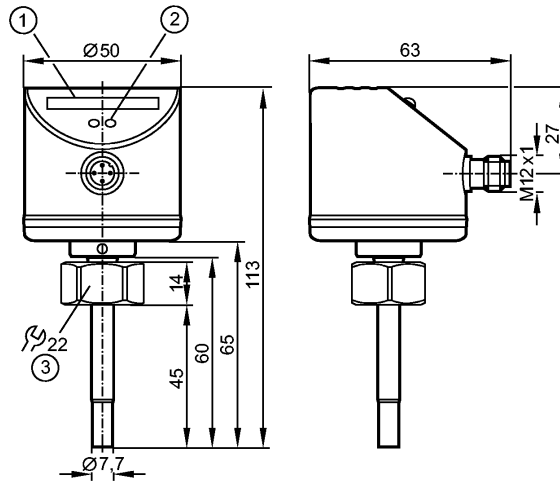


SID10ABBFPKG/US-100

Flow sensors



- 1: LED display
- 2: setting pushbutton
- 3: tightening torque 25 Nm



Made in Germany

Product characteristics

Flow monitor

Compact type for adapter

Quick disconnect

Process connection: internal thread M18 x 1.5 for adapter

ATEX approval

Group II, category 3D/3G

Application

Application

Medium temperature Liquids [°C]

Medium temperature Gases [°C]

Electrical data

Electrical design

Operating voltage [V]

Current consumption [mA]

Protection class

Reverse polarity protection

Outputs

Output function

Current rating [mA]

Voltage drop [V]

Short-circuit protection

Overload protection

Measuring / setting range

Liquids

Setting range [cm/s]

Greatest sensitivity [cm/s]

Gases

Setting range [cm/s]

Greatest sensitivity [cm/s]

Accuracy / deviations

Switch point accuracy [cm/s]

Hysteresis [cm/s]

liquids and gases

-25...80

-25...80

DC PNP

19...36 DC

< 60

III

yes

normally open / closed programmable

250

< 2.5

Yes (non-latching)

yes

3...300

3...100

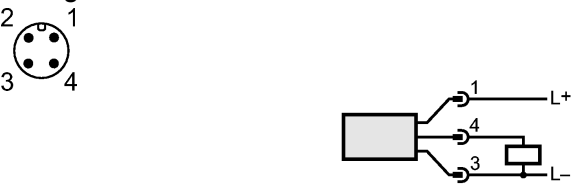
200...3000

200...800

± 2...± 10 \*)

2...5 \*)

# SI500A - Flow monitor - eclass: 27273101 / 27-01-31-01

Repeatability [cm/s]	1...5 *)
Max. temperature gradient of medium [K/min]	300
Reaction times	
Power-on delay time [s]	10
Response time [s]	1...10
Software / programming	
Adjustment of the switch point	pushbuttons
Environment	
Pressure rating [bar]	30
Ambient temperature [°C]	-20...60
Storage temperature [°C]	-25...100
Protection	IP 67
Tests / approvals	
Marking of the unit	<p>⊕ II 3D Ex tD A22 IP67 T95°C X Ta: -20°C...+60°C</p> <p>⊕ II 3G Ex nA II T4 X</p>
EMC	<p>EN 61000-4-2 ESD: 4 kV CD / 8 kV AD</p> <p>EN 61000-4-3 HF radiated: 10 V/m</p> <p>EN 61000-4-4 Burst: 2 kV</p> <p>EN 61000-4-6 HF conducted: 10 V</p>
Shock resistance	DIN IEC 68-2-27: 50 g (11 ms)
Vibration resistance	DIN EN 60068-2-6: 20 g (55...2000 Hz)
MTTF [Years]	298
Mechanical data	
Process connection	internal thread M18 x 1.5 for adapter
Materials (wetted parts)	stainless steel 316L / 1.4404; O-ring: FPM 8 x 1.5 gr 80° Shore A
Housing materials	stainless steel 316L / 1.4404; stainless steel 304 / 1.4301; PC (Makrolon); PBT-GF 20; EPDM/X (Santoprene)
Weight [kg]	0.253
Displays / operating elements	
Function display LED	10 LEDs, three-colour
Electrical connection	
Connection	M12 connector
<b>Wiring</b>	
	
Remarks	
Remarks	<p>*) for water; 5...100 cm/s; 25°C (factory setting)</p> <p>**) for water; 5...100 cm/s; 10...70°C</p>
Pack quantity [piece]	1
Other data	
Temperature drift [cm/s x 1/K]	0.1 **)